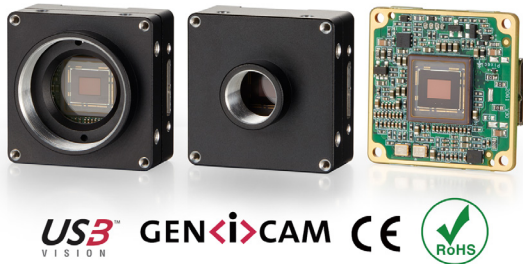


VENUS SERIES

VEN-830-22U3M/C



- Light and low power consumption
- 1/1.8" Rolling Shutter CMOS sensor
- Compatible with GenICam™ and USB3 Vision®
- USB3.0 Interface
- 8.3 Megapixels
- 1 input, 1 GPIO
- Various lens mounts

The VENUS series (VEN-U3) camera is DAHENG IMAGING' s board level industrial digital camera. The VEN-U3 series camera is a good choice for users who have requirements for space, weight, consumption and heat.

The VEN-830-22U3M/C is a monochrome/color USB3 Vision camera with Sony IMX334 CMOS sensors. The VEN-830-22U3M/C provides three lens mount options: CS mount with housing, S mount with housing, and No mount (bare board). Thanks to the extremely compact housing and various mount options, the VEN-830-22U3M/C is more flexible in demanding space.

The VEN-830-22U3M/C is especially suitable for machine vision applications such as industrial inspection, medical, scientific research, education, security and so on.

Features

- USB3.0 interface with 10-bit or 8-bit Mono/Bayer output
- Programmable ROI, increased frame rate with partial scan
- Gain, exposure and white balance programmable (white balance only for color models)
- Support auto gain, auto exposure and auto white balance (auto white balance only for color models)
- VEN-830-22U3C supports light source preset function
- Three acquisition controls: Continuous acquisition/ Software trigger acquisition/ External trigger acquisition
- Storable user sets
- Support Reverse X/Y (horizontal and vertical mirroring)
- Support hardware trigger and software trigger
- 16KB data storage area for saving algorithm coefficients, parameter configuration, and so on
- Optimized software package for 32/64bit Windows, and support Linux, Android, ARMv7 and ARMv8
- Compatible with GenICam™ and USB3 Vision®, can be used in a wide range of 3rd-party software such as HALCON, MERLIC and LabVIEW
- Multiple samples and easy-to-integrate SDKs for various programming tools
- Regulations: CE, RoHS, GenICam, USB3 Vision

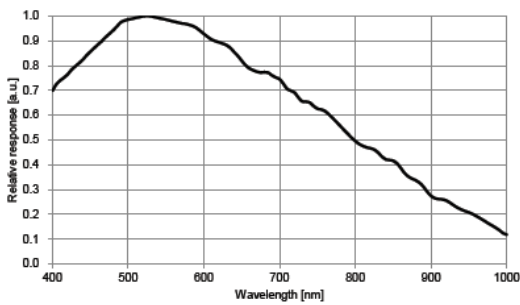
Performance Specifications

Model	VEN-830-22U3M/C
Interface	USB3.0
Resolution	3840(H) × 2160(V)
Frame rate	22 fps @3840 × 2160
Sensor	1/1.8", Rolling Shutter Sony IMX334 CMOS
Pixel size	2.0 μm × 2.0 μm
Pixel Bit Depth	8bit, 10bit
Spectrum	Monochrome / Color
Exposure time	20μs~1s

Optical Specifications

Lens mount	Camera model
CS mount	VEN-830-22U3M/C-M01
S mount	VEN-830-22U3M/C-M05
No mount	VEN-830-22U3M/C-M06

Spectral Response



VEN-830-22U3M

Electrical Specifications

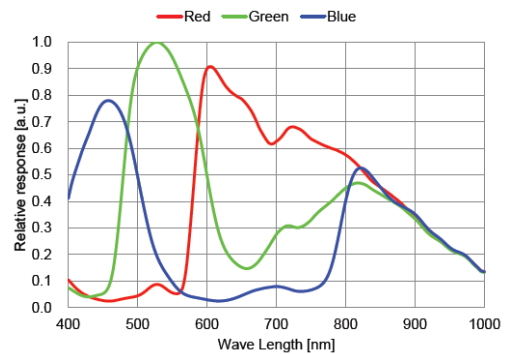
Power requirement	5 VDC via USB cable
I/Os	1 input, 1 GPIOs
Data interface	USB3.0 Micro B
Power consumption	<2.7W @5V DC

Environmental Specifications

Operating temp.	0°C ~ +45°C
Storage temp.	-20°C ~ +70°C
Operating humidity	10% ~ 80%

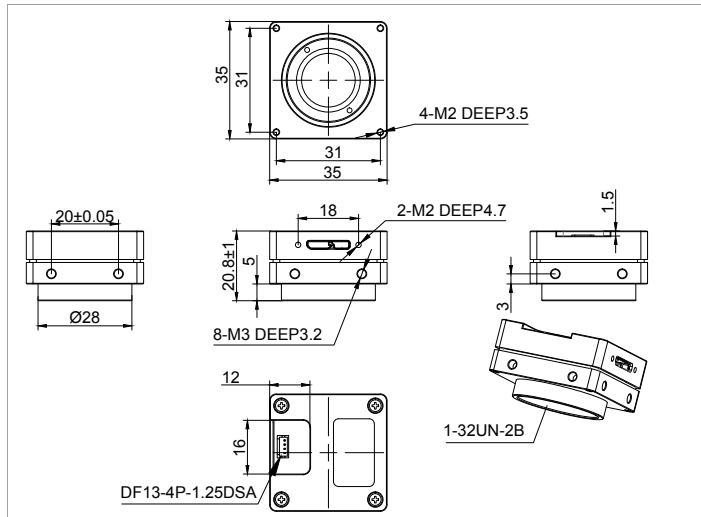
Mechanical Specifications

Weight	31g (CS mount), 32g (S mount), 7g (bare board)
Dimensions	35(W)x35(H)x15.7(L)mm (without CS lens mount) 35(W)x35(H)x15.1(L)mm (without S lens mount) 32.50(W) × 32.50(H) × 8.05(L)mm (No mount)

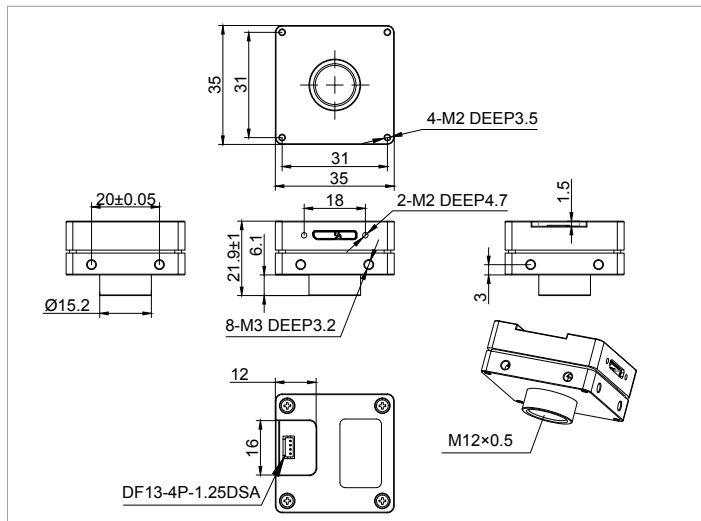


VEN-830-22U3C

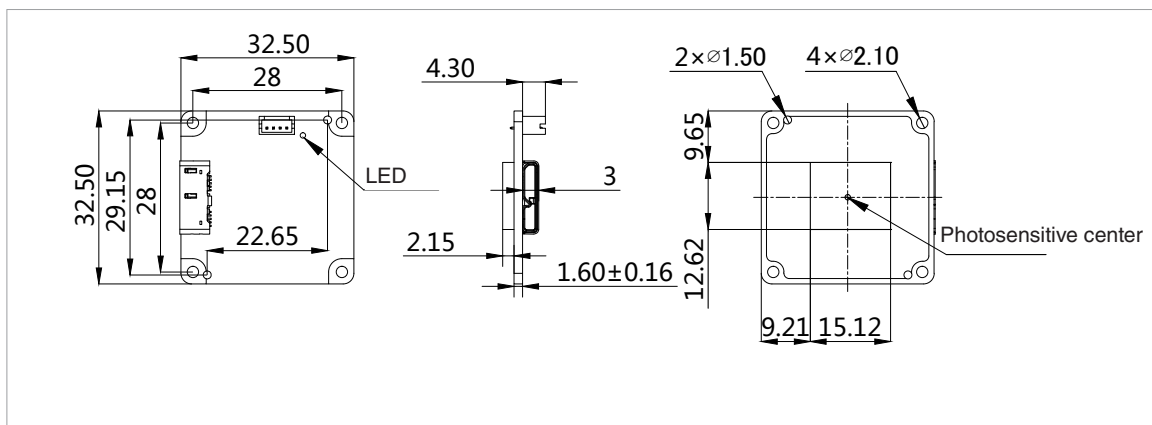
Technical Drawing



VEN-830-22U3M/C-M01



VEN-830-22U3M/C-M05



VEN-830-22U3M/C-M06

Units: mm

China Daheng Group, Inc. Beijing Image Vision Technology Branch

12F Daheng Science & Technology Tower, No.3 Suzhou Street, Haidian District,

Beijing China, 100080

Tel: +86 10 82828878

E-mail: isales@daheng-imaging.com

For more information please visit : www.daheng-imaging.com/en

Specifications are subject to change without prior notice.

Copyright © 2022 China Daheng Group, Inc. Beijing Image Vision Technology Branch. All rights reserved.

21111416