

## MERCURY2 FAMILY

### MER2-301-125U3M/C-L



- Ultra small, light and robust
- 1/1.8" global shutter CMOS sensor
- Compatible with GenICam™ and USB3 Vision®
- USB3.0 interface
- 3.0 Megapixels
- Very attractive price

The MERCURY2 USB3.0 series (MER2-U3-L) camera is DAHENG IMAGING's new generation area scan industrial digital camera, featuring outstanding performance, compact design and extremely low noise.

The MER2-301-125U3M/C-L camera is a monochrome/color USB3 Vision camera with the Sony IMX252 CMOS sensor. Thanks to the compact design (29mm × 29mm × 29mm), robust metal housings and locking screw connectors, the MERCURY2 cameras can secure the reliability of cameras deployed in harsh environments.

The MER2-301-125U3M/C-L camera is powered over the USB interface. Compared to the MER2-301-125U3M/C, the MER2-301-125U3M/C-L has no I/O interfaces, so it is more light and handy. The camera has an outstanding price/performance ratio.

The MERCURY2 family cameras are especially suitable for machine vision applications such as industrial inspection, medical, scientific research, education, security and so on.

#### Features

- Programmable ROI, increased frame rate with partial scan
- Gain, exposure and white balance programmable (white balance only for color models)
- Support auto gain, auto exposure and auto white balance (auto white balance only for color models)
- Three acquisition controls: Single frame acquisition / Continuous acquisition / Software trigger acquisition
- Trigger mode: Frame Start /Frame Burst Start
- Two exposure time modes: standard exposure time mode / minimal exposure time mode
- Support LUTs, storable user sets, Timer and Counter
- Support Decimation, Binning, Reverse X/Y, Digital Shift and Black Level
- Adjustable Gamma for optimizing the brightness of images
- Color models support Light source preset, Color Transformation Control and Saturation
- Monochrome models support Noise Reduction and Sharpness
- Support Remove Parameter Limit to expand the range of exposure, gain, white balance, and so on
- 16KB data storage area for saving algorithm coefficients and parameter configuration
- Compatible with GenICam™ and USB3 Vision®, support 3rd-party software such as HALCON, MERLIC and LabVIEW
- Optimized software package for 32/64bit Windows, and support Linux, Android, ARMv7 and ARMv8
- Multiple samples and easy-to-integrate SDKs for various programming tools
- Regulations: CE, FCC, RoHS, GenICam, USB3 Vision

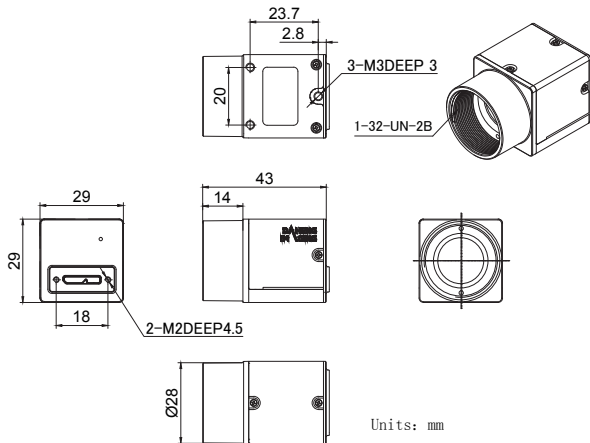
## Performance Specifications

Model	MER2-301-125U3M/C-L
Interface	USB3.0
Resolution	2048(H) × 1536(V)
Frame rate	125 fps @2048 × 1536
Sensor	1/1.8", Sony IMX252 Global shutter CMOS
Pixel size	3.45 μm × 3.45 μm
Pixel Bit Depth	8bit, 10bit
Spectrum	Monochrome / Color
Exposure time	20μs~1s
Minimal exposure time	1μs~100μs

## Optical Specifications

Lens mount	C-Mount (standard), CS-Mount (optional)
------------	---

## Technical Drawing



## Electrical Specifications

Power requirement	5 VDC via USB cable
I/Os	-
Data interface	Micro B with locked
Power consumption	<2.7W @5VDC

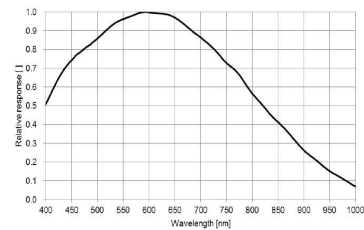
## Environmental Specifications

Operating temp.	0°C ~ +45°C
Storage temp.	-20°C ~ +70°C
Operating humidity	10% ~ 80%

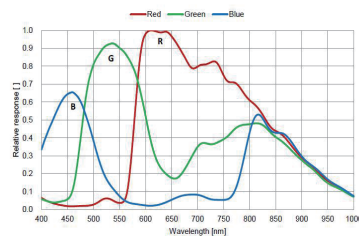
## Mechanical Specifications

Weight	61g
Dimensions	29(W)×29(H)×29(L)mm, w/o connectors

## Spectral Response



MER2-301-125U3M-L



MER2-301-125U3C-L

China Daheng Group, Inc. Beijing Image Vision Technology Branch

12F Daheng Science & Technology Tower, No.3 Suzhou Street, Haidian District,

Beijing China, 100080

Tel: +86 10 82828878

E-mail: isales@daheng-imaging.com

For more information please visit: [www.daheng-imaging.com/en](http://www.daheng-imaging.com/en)

Specifications are subject to change without prior notice.

Copyright © 2022 China Daheng Group, Inc. Beijing Image Vision Technology Branch. All rights reserved.

11122216