

MERCURY SERIES

MER-500-7UC-L



GEN*i*CAM



- Ultra small, light and robust
- 1/2.5" Rolling CMOS sensor
- Compatible with GenICam™
- USB2.0 Interface
- 5 Megapixels
- Very attractive price

The MERCURY USB2.0 series(MER-U-L) camera is DAHENG IMAGING's mature area scan industrial digital camera, featuring high resolution, high definition, extremely low noise and compact design.

The MER-500-7UC-L camera is a color USB camera with the Onsemi MT9P006 CMOS sensor. Thanks to the extremely compact (29mm × 29mm × 29mm), robust metal housings and locking screw connectors. The MERCURY cameras can secure the reliability of cameras deployed in harsh environments.

The MER-500-7UC -L camera is powered over the USB interface. Compared to the MER-500-7UC, the MER-500-7UC-L has no I/O interfaces, so it is more light and handy. The camera has an outstanding price/performance ratio.

The MERCURY USB2.0 Series camera is especially suitable for machine vision applications such as surface inspection, alignment, defect detection, measurement, OCR , bar code and data code identification and so on. They are also suitable for desktop applications, such as microscope and documents imaging.

Features

- Programmable ROI (region of interest), increased frame rate with partial scan
- Gain, exposure and white balance programmable
- Support auto gain, auto exposure and auto white balance
- Two acquisition controls: Continuous acquisition/Software trigger acquisition
- Programmable acquisition speed level, optimize multi-cameras work simultaneity
- Built-in encryption circuitry
- Robust full metal housing and optional lockable devices
- Hot plugging available
- Compatible with GenICam™ and GigE Vision®, can be used in a wide range of 3rd-party software such as HALCON, MERLIC and LabVIEW directly
- Optimized software package for 32/64bit Windows, and support Linux
- Multiple samples and easy-to-integrate SDK for various programming tools
- Regulations: CE, RoHS, GenICam

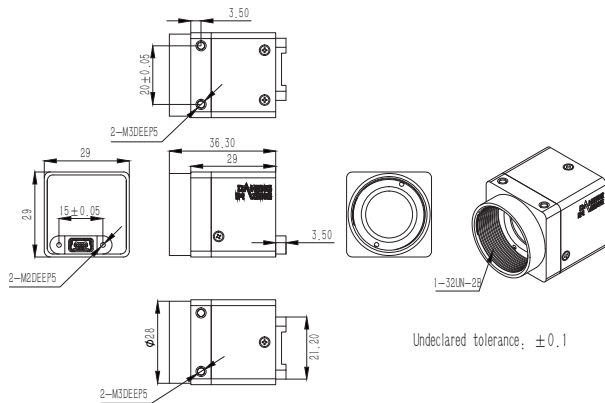
Performance Specifications

Model	MER-500-7UC-L
Interface	USB2.0
Resolution	2592(H) × 1944(V)
Frame rate	7 fps
Sensor	1/2.5", Rolling Shutter Onsemi MT9P006 CMOS
Pixel size	2.2μm × 2.2μm
Pixel Bit Depth	8bit, 12bit
Spectrum	Color
Exposure time	6μs~1s

Optical Specifications

Lens mount	C-Mount (standard), CS-Mount (optional)
------------	---

Technical Drawing



Units: mm

Electrical Specifications

Power requirement	5 VDC via USB cable
I/Os	-
Data interface	Mini B
Power consumption	<1W @5V DC

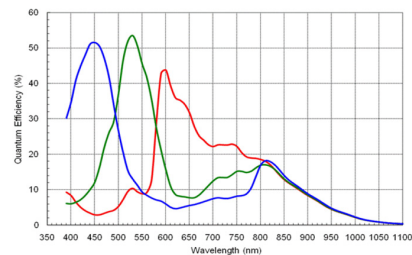
Environmental Specifications

Operating temp.	0°C ~ +45°C
Storage temp.	-20°C ~ +70°C
Operating humidity	10% ~ 80%

Mechanical Specifications

Weight	40g
Dimensions	29(W)x29(H)x29(L)mm, w/o connectors

Spectral Response



MER-500-7UC-L

China Daheng Group, Inc. Beijing Image Vision Technology Branch

12F Daheng Science & Technology Tower, No.3 Suzhou Street, Haidian District,
Beijing China, 100080

Tel: +86 10 82828878

E-mail: isales@daheng-imaging.com

For more information please visit : www.daheng-imaging.com/en

Specifications are subject to change without prior notice.

Copyright © 2021 China Daheng Group, Inc. Beijing Image Vision Technology Branch. All rights reserved.

October 14, 2021