

MERCURY SERIES

MER-131-75GM-P NIR



- Ultra small, light and robust
- 1/2" Global Shutter CMOS sensor
- Optimized NIR response
- Compatible with GenICam™ and GigE Vision®
- Gigabit Ethernet Interface
- Power over Ethernet (PoE)
- 1.3 Megapixels
- 2 Programmable GPIOs

The MERCURY GigE PoE series(MER-G-P) camera is DAHENG IMAGING's mature area scan industrial digital camera, featuring outstanding performance and compact design.

The MER-131-75GM-P NIR camera is a NIR enhanced GigE Vision camera with the Onsemi PYTHON 1300 CMOS sensor, the sensor has optimized response in the near-infrared band. Thanks to the extremely compact (29mm × 29mm × 38.3mm), robust metal housings and locking screw connectors, the MERCURY cameras can secure the reliability of cameras deployed in harsh environments.

The MER-131-75GM-P NIR camera is powered over Ethernet and has opto-isolated I/Os. The GPIOs give MER-G-P maximum flexibility to adapt to specific needs. The camera has an outstanding price/performance ratio.

The MERCURY family cameras are especially suitable for machine vision applications such as industrial inspection, medical, scientific research, education, security and so on.

Features

- Power over Ethernet (IEEE802.3af compliant)
- 10-bit or 8-bit Mono output
- Programmable ROI, increased frame rate with partial scan
- Gain and exposure programmable
- Three acquisition controls: Continuous acquisition/Software trigger acquisition/External trigger acquisition
- Support ExposureEnd Event notification
- Flash sync for firing external lights at precisely the moment when exposure is performed
- Adjustable packet-size and packet-delay, and reserved bandwidth
- Programmable LUTs and storable user sets
- Robust full metal housing and optional lockable devices
- Compatible with GenICam™ and GigE Vision®, support a variety of 3rd-party software such as HALCON, MERLIC and LabVIEW
- Optimized software package for 32/64bit Windows, and support Linux, ARMv7 and ARMv8
- Multiple samples and easy-to-integrate SDKs for various programming tools
- Regulations: CE, RoHS, FCC, GenICam, GigE Vision, IEEE802.3af (PoE)

Performance Specifications

| | |
|-----------------|---|
| Model | MER-131-75GM-P NIR |
| Interface | GigE |
| Resolution | 1280(H) × 1024(V) |
| Frame rate | 75 fps |
| Sensor | 1/2", Global Shutter Onsemi PYTHON 1300 CMOS |
| Pixel size | 4.8 μm × 4.8 μm |
| Pixel Bit Depth | 8bit, 10bit |
| Spectrum | Mono, NIR |
| Exposure time | 1μs~1s |

Optical Specifications

| | |
|------------|---|
| Lens mount | C-Mount (standard), CS-Mount (optional) |
|------------|---|

Electrical Specifications

| | |
|-------------------|-----------------------------|
| Power requirement | 12 VDC via 8-Pin or PoE |
| I/Os | 1 input / 1 output, 2 GPIOs |
| Data interface | RJ45 |
| Power consumption | <3W @12V, <3.75W @PoE |

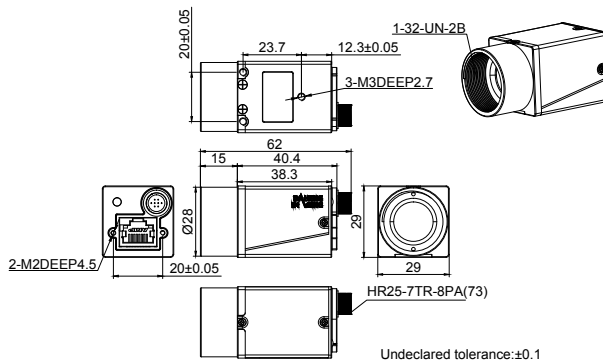
Environmental Specifications

| | |
|--------------------|---------------|
| Operating temp. | 0°C ~ +45°C |
| Storage temp. | -20°C ~ +70°C |
| Operating humidity | 10% ~ 80% |

Mechanical Specifications

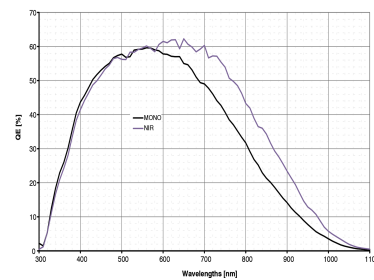
| | |
|------------|--|
| Weight | 75g |
| Dimensions | 29×29×38.3mm, w/o adapter & connectors |

Technical Drawing



Units: mm

Spectral Response



MER-131-75GM-P NIR

China Daheng Group, Inc. Beijing Image Vision Technology Branch

12F Daheng Science & Technology Tower, No.3 Suzhou Street, Haidian District,

Beijing China, 100080

Tel: +86 10 82828878

E-mail: isales@daheng-imaging.com

For more information please visit : www.daheng-imaging.com/en

Specifications are subject to change without prior notice.

Copyright © 2021China Daheng Group, Inc. Beijing Image Vision Technology Branch. All rights reserved.

November 17, 2021