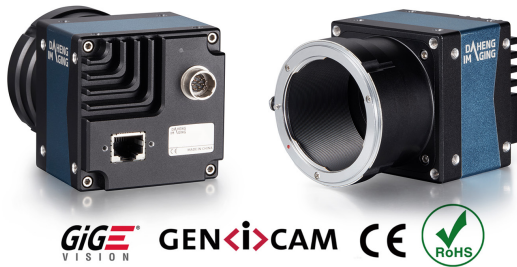


MARS SERIES

MARS-3140-3GM/C-P



- 31.4 Megapixels
- 1.8" global shutter CMOS sensor
- Outstanding performance and robust housings
- Compatible with GenICam™ and GigE Vision®
- Gigabit Ethernet interface
- Power over Ethernet (PoE)
- 2 programmable GPIOs

The MARS GigE PoE series (MARS-G-P) camera is DAHENG IMAGING's large sensor industrial digital camera, featuring high resolution, high definition and low noise.

MARS-3140-3GM/C-P is a monochrome/color GigE Vision camera with the Sony IMX342 CMOS sensor. The MARS GigE PoE series camera can be powered over Ethernet and has opto-isolated I/Os. Thanks to locking screw connectors, the MARS cameras can secure the reliability of cameras deployed in harsh environments. The MARS cameras are industrial digital cameras with high reliability and high price/performance ratio.

Featuring robust housings, outstanding performance, ease of installation and use, the MARS cameras are especially suitable for machine vision applications such as industrial inspection, medical, scientific research, education, security and so on.

Features

- Power over Ethernet (IEEE802.3af compliant)
- Four acquisition controls: Single frame acquisition/Continuous acquisition/Software trigger acquisition/External trigger acquisition
- Trigger mode: Frame Start /Frame Burst Start
- Support LUTs and storable user sets
- Support Decimation, Binning, Reverse X/Y, Digital Shift and Black Level
- Support Color Transformation for improving image quality (only for color models)
- Adjustable Gamma and Sharpness for optimizing the brightness and sharpness of images
- Support Defect Pixel Correction and Flat Field Correction
- Support Timer and Counter
- Support Remove Parameter Limit to expand the range of exposure, gain, white balance, and so on
- 16KB data storage area for saving algorithm coefficients and parameter configuration
- Adjustable packet-size and packet-delay
- Compatible with GenICam™ and GigE Vision®, can be used in a wide range of 3rd-party software such as HALCON, MERLIC and LabVIEW directly
- Optimized software package for 32/64bit Windows, and support Linux, ARMv7, ARMv8 and Mac OS
- Multiple samples and easy-to-integrate SDKs for various programming tools
- Regulations: CE, RoHS, GenICam, GigE Vision, IEEE802.3af (PoE)

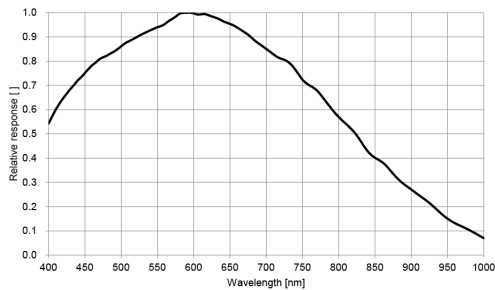
Performance Specifications

Model	MARS-3140-3GM/C-P
Interface	GigE
Resolution	6464(H) × 4852(V)
Frame rate	3.4 fps
Sensor	1.8" global shutter Sony IMX342 CMOS
Pixel size	3.45 μm × 3.45 μm
Pixel Bit Depth	8bit, 12bit
Spectrum	Monochrome / Color
Exposure time	63μs~1s

Optical Specifications

Lens mount	Camera model
F mount	MARS-3140-3GM/C-P-M02
M42 × 1 (Flange Distance: 12mm)	MARS-3140-3GM/C-P-M03
No mount	MARS-3140-3GM/C-P-M06

Spectral Response



MARS-3140-3GM-P

Electrical Specifications

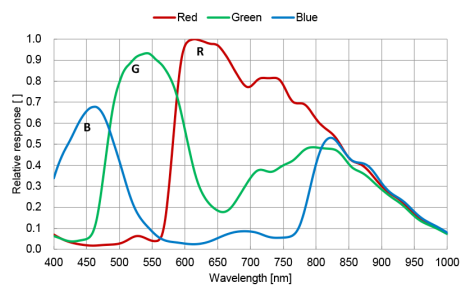
Power requirement	12V~24V DC via 12-Pin or PoE
I/Os	1 input / 1 output, 2 GPIOs
Data interface	RJ45
Power consumption	<5.5W@12VDC, <6W@PoE

Environmental Specifications

Operating temp.	0°C ~ +45°C
Storage temp.	-20°C ~ +70°C
Operating humidity	10% ~ 80%

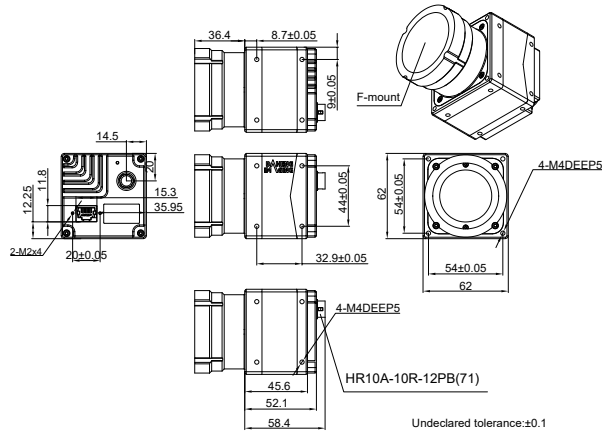
Mechanical Specifications

Weight	292g
Dimensions	62(W)x62(H)x52.1(L) mm, w/o connectors



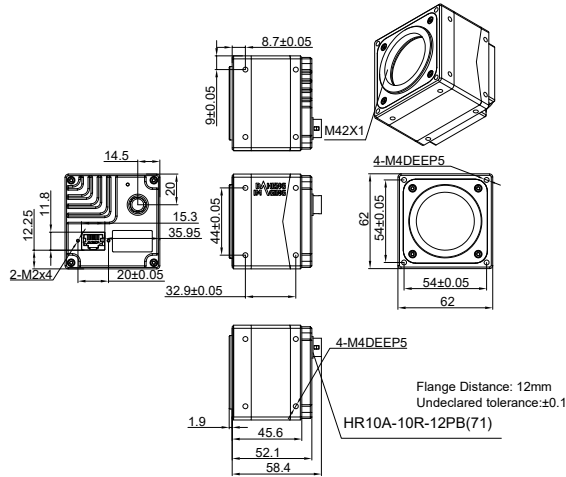
MARS-3140-3GC-P

Technical Drawing



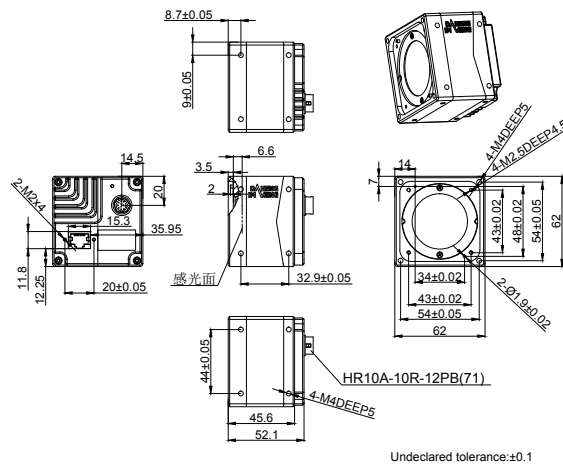
Units: mm

MARS-3140-3GM/C-P-M02



Units: mm

MARS-3140-3GM/C-P-M03



Units: mm

MARS-3140-3GM/C-P-M06

China Daheng Group, Inc. Beijing Image Vision Technology Branch

12F Daheng Science & Technology Tower, No.3 Suzhou Street, Haidian District,

Beijing China, 100080

Tel: +86 10 82828878

E-mail: isales@daheng-imaging.com

For more information please visit : www.daheng-imaging.com/en

Specifications are subject to change without prior notice.

Copyright © 2021 China Daheng Group, Inc. Beijing Image Vision Technology Branch. All rights reserved.

21/09/10