

MERCURY2 FAMILY

MER2-2000-19U3M/C-W90



- Ultra small, light and robust
- 90 degree angle lens mount
- 1" rolling shutter CMOS sensor
- Compatible with GenICam™ and USB3 Vision®
- USB3.0 interface
- 20.0 Megapixels
- 1 input/1 output with opto-isolated
- 2 programmable GPIOs

The MERCURY2 USB3.0 series (MER2-U3) camera with 90 degree angle lens mount is DAHENG IMAGING's new generation area scan industrial digital camera. Compared to MER-U3 and MER2-U3 with standard lens mount, MER2-U3 camera with 90 degree lens angle mount has more installation flexibility.

The MER2-2000-19U3M/C-W90 camera is a monochrome/color USB3 Vision camera with the Sony IMX183 CMOS sensor. Thanks to the compact design (29mm × 29mm × 58.8mm, including lens mount), robust metal housings and locking screw connectors, the MER2-2000-19U3M/C-W90 camera can secure the reliability of cameras deployed in harsh environments. The MER2-U3 cameras have opto-isolated I/Os, and the GPIOs give MER2-U3 cameras maximum flexibility to adapt to specific needs.

The MERCURY2 family cameras are especially suitable for machine vision applications such as industrial inspection, medical, scientific research, education, security and so on.

Features

- Programmable ROI, increased frame rate with partial scan
- Gain, exposure and white balance programmable (white balance only for color models)
- Support auto gain, auto exposure and auto white balance (auto white balance only for color models)
- Support Global Reset Release shutter mode
- Four acquisition controls: Single frame acquisition/ Continuous acquisition/ Software trigger acquisition/ External trigger acquisition
- Trigger mode: Frame Start /Frame Burst Start
- Support LUTs, storable user sets, Timer and Counter
- Support Decimation, Binning, Reverse X/Y, Digital Shift and Black Level
- Adjustable Gamma for optimizing the brightness of images
- Color models support Light source preset, Color Transformation Control and Saturation
- Monochrome models support Noise Reduction and Sharpness
- Support Remove Parameter Limit to expand the range of exposure, gain, white balance, and so on
- 16KB data storage area for saving algorithm coefficients and parameter configuration
- 90 degree angle lens mount enables the camera to be angle installed in harsh environment
- Compatible with GenICam™ and USB3 Vision®, support a variety of 3rd-party software such as HALCON, MERLIC and LabVIEW
- Optimized software package for 32/64bit Windows, and support Linux, Android, ARMv7 and ARMv8
- Multiple samples and easy-to-integrate SDKs for various programming tools
- Regulations: CE, RoHS, FCC, GenICam, USB3 Vision

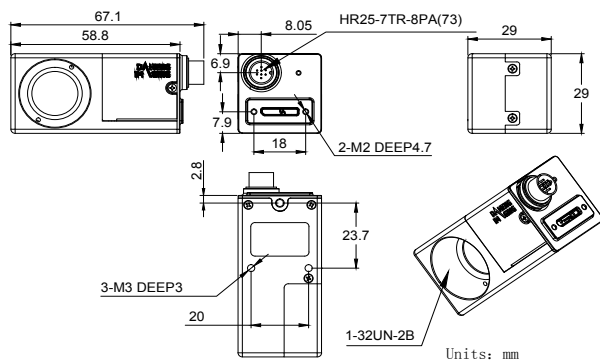
Performance Specifications

Model	MER2-2000-19U3M/C-W90
Interface	USB3.0
Resolution	5496(H) × 3672(V)
Frame rate	19.6 fps @ 5496 × 3672
Sensor	1", Sony IMX183 Rolling shutter CMOS
Pixel size	2.4 μm × 2.4 μm
Pixel Bit Depth	8bit, 12bit
Spectrum	Monochrome / Color
Exposure time	12μs~1s

Mechanical Specifications

Weight	78g
Dimensions	29(W)×29(H)×58.8(L)mm (with lens mount, without I/O connector)

Technical Drawing



Electrical Specifications

Power requirement	5 VDC via USB cable
I/Os	Shielded industrial interface, 1 input / 1 output, 2 GPIOs
Data interface	Micro B with locked
Power consumption	<2.7W @5V DC

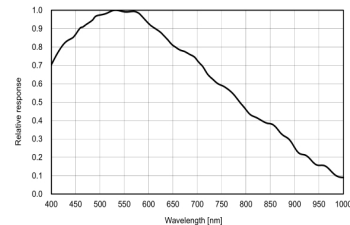
Environmental Specifications

Operating temp.	0°C ~ +45°C
Storage temp.	-20°C ~ +70°C
Operating humidity	10% ~ 80%

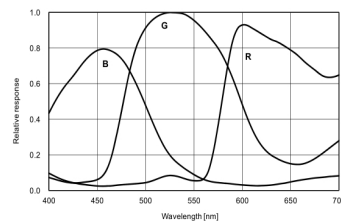
Optical Specifications

Lens mount	C-Mount (standard), CS-Mount (optional)
------------	-----------------------------------------

Spectral Response



MER2-2000-19U3M-W90



MER2-2000-19U3C-W90

China Daheng Group, Inc. Beijing Image Vision Technology Branch

12F Daheng Science & Technology Tower, No.3 Suzhou Street, Haidian District,

Beijing China, 100080

Tel: +86 10 82828878

E-mail: isales@daheng-imaging.com

For more information please visit: www.daheng-imaging.com/en

Specifications are subject to change without prior notice.

Copyright © 2021 China Daheng Group, Inc. Beijing Image Vision Technology Branch. All rights reserved.

11110716